



I NOVELTY PARIS I

ZI de la Vigne aux Loups
Rue George Sand
91160 Longjumeau
Tél : +33 1 76 91 90 00
Fax : +33 1 76 91 90 90
location@novelty.fr

I NOVELTY TOULOUSE I

ZA de la Violette
1 impasse de l'Hers
31240 L'Union
Tél : +33 5 62 75 23 56
Fax : +33 5 61 37 13 11
toulouse@novelty.fr

I NOVELTY AZUR I

242 avenue Jean Mermoz
06210 Mandelieu La Napoule
Tél : +33 4 93 73 08 19
Fax : +33 4 93 93 35 94
azur@novelty.fr

I NOVELTY BENELUX I

Boulevard Paepsem 10A
1070 Bruxelles
Belgique
Tél : +32 2 392 82 82
Fax : +32 2 392 82 92
benelux@novelty-group.com

I NOVELTY UNITED KINGDOM I

280 Western Road
SW19 2QA London
England
Tél : 00 (44) 207 419 5183
london@novelty-group.com

Paris

Cannes

Toulouse

Brussels

London



Perfect display effect

Seamless locking design, deep-black louver enables a sharp and crispy screen image.

Unique dot-by-dot calibration on both color and brightness of each pixel effectively erase the dark spot and stain, achieves perfect image quality.

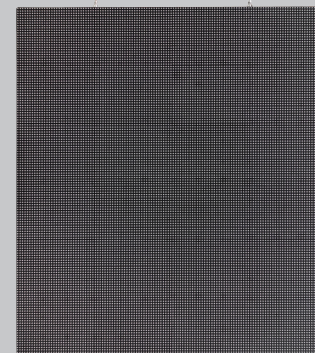
High brightness, high refresh rate, wide viewing angle

Multi-functional

8:9 ratio is easier to build a big display.

Both indoor and outdoor use, adjustable brightness based on environment.

Enclosed cabinet design and solid cabinet structure are suitable for fixed installation, hanging, stacking and so on.





I NOVELTY PARIS I

ZI de la Vigne aux Loups
Rue George Sand
91160 Longjumeau
Tél : +33 1 76 91 90 00
Fax : +33 1 76 91 90 90
location@novelty.fr

I NOVELTY TOULOUSE I

ZA de la Violette
1 impasse de l'Hers
31240 L'Union
Tél : +33 5 62 75 23 56
Fax : +33 5 61 37 13 11
toulouse@novelty.fr

I NOVELTY AZUR I

242 avenue Jean Mermoz
06210 Mandelieu La Napoule
Tél : +33 4 93 73 08 19
Fax : +33 4 93 93 35 94
azur@novelty.fr

I NOVELTY BENELUX I

Boulevard Paepsem 10A
1070 Bruxelles
Belgique
Tél : +32 2 392 82 82
Fax : +32 2 392 82 92
benelux@novelty-group.com

I NOVELTY UNITED KINGDOM I

280 Western Road
SW19 2QA London
England
Tél : 00 (44) 207 419 5183
london@novelty-group.com

Paris

Cannes

Toulouse

Brussels

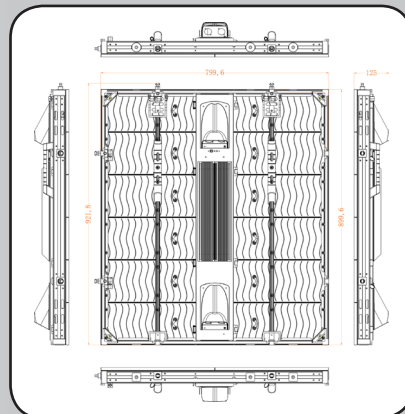
London

Parameter

- Application environment : Outdoor rental
- Transparency ratio(%) : 0
- Pixel pitch (mm) : 6.25
- Brightness (nits) : 5000 (N) / 6000 (H)
- Pixel configuration : SMD2727-N / SMD2727-H
- Scanning Mode : 1/4
- Pixel per m² : 25600
- Pixel matrix per panel : 128x144
- Display refresh rate (Hz) : ≥2000
- Panel material : Aluminum
- Ingress protection (front/rear) : IP65/IP54
- Certification : CE,RoHS, UL
- Color processing : 16 bit/color
- Colors : 281 trillion
- Hor. viewing angle : -70°/+70°
- Vert. viewing angle : -55°/+55°
- Power consumption : 130W/Panel - 180W/m² (typical)
390W/Panel - 540W/m²(max)
- Refresh rate : up to 6,000 Hz
- Contrast ratio : 2,800:1
- Ruggedness : IP65 (front)/ IP54 (rear)
- Size (WxH) : 800mm x 900mm
- Weight : 18Kg/ panel - 25Kg/m²
- Panel area : 0.72 m² – 8/9 – 0,72m²

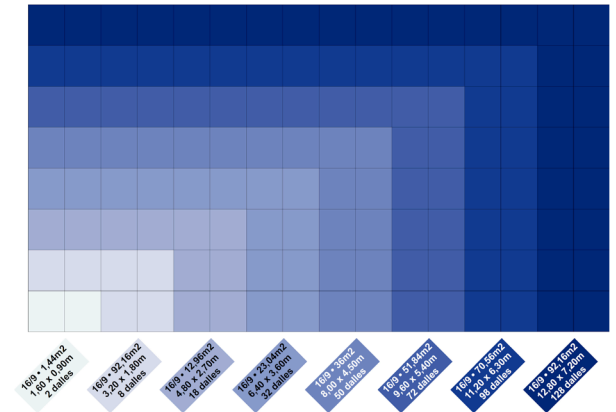
Features & Benefits

- Outstanding performance : Vivid and brilliant colors, sharp and smooth images capture audience attention.
- Advanced control : Up to 16 bits gray scale processing depth achieves high level of color reproduction, expands color gamut, and shows natural and smooth images; double back-up system ensures stability of the system; brightness adjustment automatically or manually is available.
- Industry-leading patented calibration methodology : With patented brightness and color calibration, the brightness discrepancy is less than 3% and chroma precise is accurate to 0.001; moreover, onsite calibration services after installation can also keep the outstanding performance of the screen in long term.
 - One stop service : From electronic power supply, software, back-up system, to emergency access, we offer a complete solution for our clients.
 - State-of-art design : Our display system is specially designed for high end users. With easy installation and convenient management and maintenance concept in mind, we design the products that save much more cost for the users.
 - Economically attractive : Low purchase and maintenance cost, and efficient energy management and high quality LEDs with long durability make the video display economically attractive.

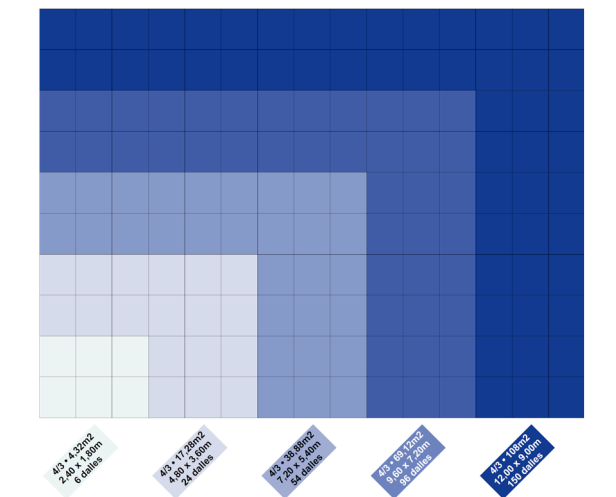


18 kg / flight (x4 dalles) 145 kg

Configuration écran MLED M6 - format 16/9



Configuration écran MLED M6 - format 4/3





I NOVELTY PARIS I

ZI de la Vigne aux Loups
Rue George Sand
91160 Longjumeau
Tél : +33 1 76 91 90 00
Fax : +33 1 76 91 90 90
location@novelty.fr

I NOVELTY TOULOUSE I

ZA de la Violette
1 impasse de l'Hers
31240 L'Union
Tél : +33 5 62 75 23 56
Fax : +33 5 61 37 13 11
toulouse@novelty.fr

I NOVELTY AZUR I

242 avenue Jean Mermoz
06210 Mandelieu La Napoule
Tél : +33 4 93 73 08 19
Fax : +33 4 93 93 35 94
azur@novelty.fr

I NOVELTY BENELUX I

Boulevard Paepsem 10A
1070 Bruxelles
Belgique
Tél : +32 2 392 82 82
Fax : +32 2 392 82 92
benelux@novelty-group.com

I NOVELTY UNITED KINGDOM I

280 Western Road
SW19 2QA London
England
Tél : 00 (44) 207 419 5183
london@novelty-group.com

Paris

Cannes

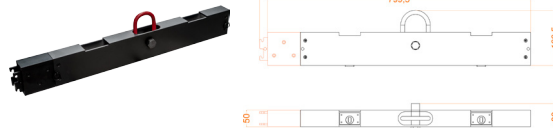
Toulouse

Brussels

London

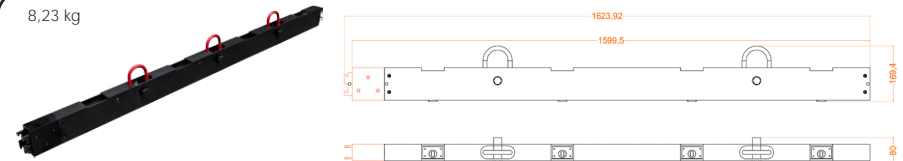
BUMPER 1 colonne

4,15 kg



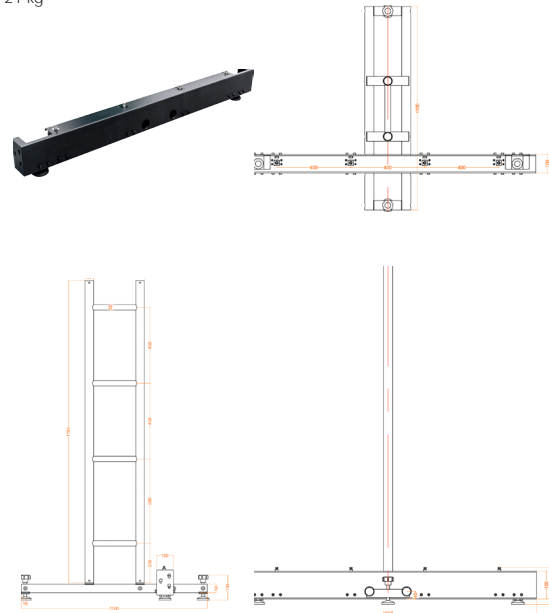
BUMPER 2 colonnes

8,23 kg



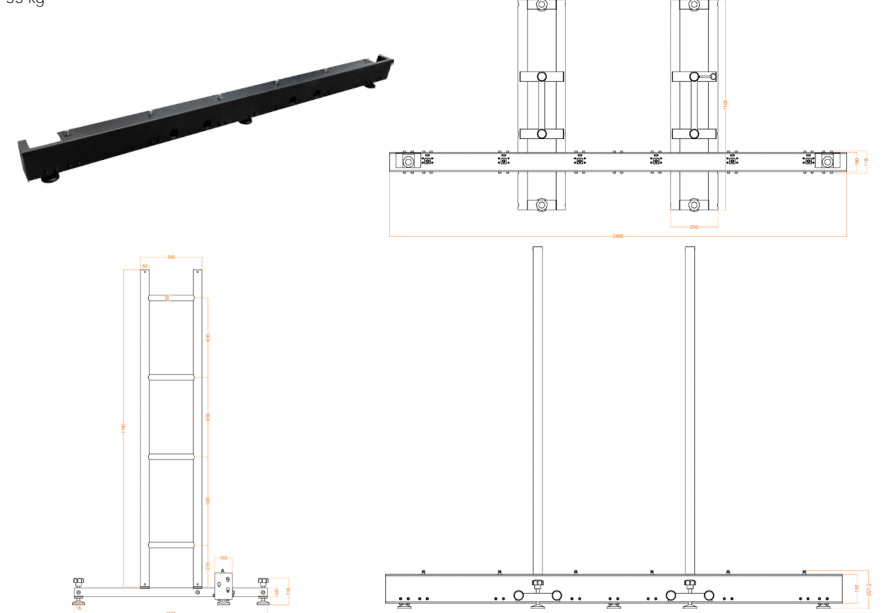
EMBASE 2 colonnes

21 kg



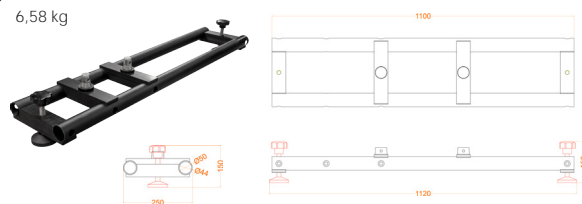
EMBASE 3 colonnes

33 kg



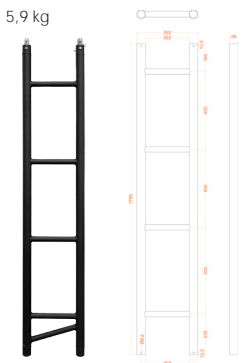
STABILISATEUR embase

6,58 kg



ECHELLE maintien AR

5,9 kg



COLLIER

0,79 kg

