



4011C, 4011C Cardioid Microphone, Compact

- Close-miking
- Superior for high sound levels
- Accuracy
- Colorless

Maximum clarity, minimum visibility

DPA's Compact Cardioid range is proof that stunning clarity and absolute neutrality are not solely the characteristics of full-sized studio condenser mics alone. Designed to be hidden from view, the diminutive design and high performance of the DPA 4011C makes it the outstanding choice for unobtrusively miking all types of television, film, theatre, concert and studio performances.

Limited in size, not application

Capable of handling high SPLs without distortion, the 4011C is perfectly tailored for close-miking applications, minimizing bleed from other instruments. When used to spot-mike larger orchestras, these mics are hard to beat, and in film and TV studios, they are excellent for off-camera voice recording or Foley work. For live on-camera recordings, their matte black finish gives them a classic yet inconspicuous appearance, while for sound reinforcement in concert halls, theatres and houses of worship, they provide clean, natural sound while reducing the noticeable effect of lighting reflection.

Also available as matched stereo pair

The ST4011C stereo pair is supplied in a specially designed PeliTM Case, the stereo matching is free of charge.

For more information please visit:
www.dpamicrophones.com

4011C, 4011C Cardioid Microphone, Compact

Directional characteristics:

Cardioid

Principle of operation:

Pressure gradient

Cartridge type:

Pre-polarized condenser

Frequency range:

20 Hz to 20 kHz

Frequency range, ± 2 dB:

40 Hz to 20 kHz

Sensitivity, nominal ± 2 dB at 1 kHz:

10 mV/Pa; -40 dB re. 1 V/Pa

Equivalent noise level, A-weighted:

Typ. 18 dB(A) re. 20 μ Pa (max. 20 dB)

Equivalent noise level, ITU-R BS.468-4:

Typ. 25 dB

S/N ratio (A-weighted), re. 1 kHz at 1 Pa (94 dB SPL):

Typ. 76 dB(A)

Total Harmonic Distortion (THD):

< 1 % up to 139 dB SPL peak

Dynamic range:

Typ. 121 dB

Max. SPL, peak before clipping:

152 dB

Minimum load impedance:

2 kohm

Output impedance:

< 200 ohm

Cable drive capability:

100 m (328 ft)

Output balance principle:

Impedance balancing with Active Drive

Common Mode Rejection Ratio (CMRR):

> 50 dB

Power supply (for full specifications):

48 V Phantom power (± 4 V)

Current consumption:

2.8 mA

Connector:

XLR-3M. Pin 1: shield, Pin 2: signal + phase, Pin 3: - phase

Color:

Matte black

Weight:

58 g (2 oz)

Microphone diameter:

19 mm (0.75 in)

Capsule diameter:

19 mm (0.75 in)

Length:

64 mm (2.5 in)

Output voltage, RMS:

> 4 V

Polarity:

+V at Pin 2 for positive sound pressure

Temperature range:

-40 °C to 45 °C (-40 °F to 113 °F)

Relative Humidity (RH):

Up to 90 %

Matching tolerance:

± 1 dB

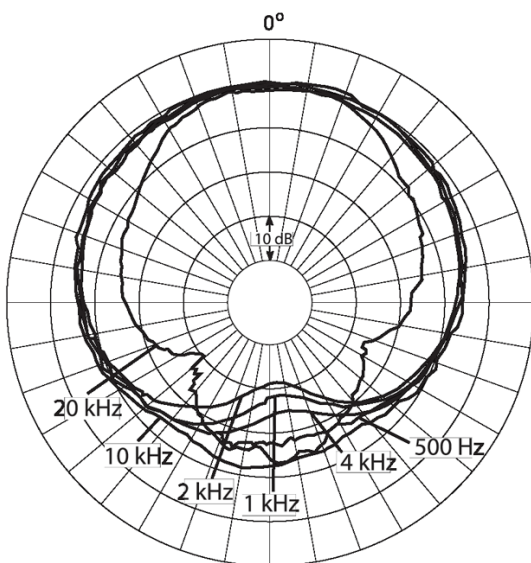
Phase deviation for kit:

< 10°

Diagrams

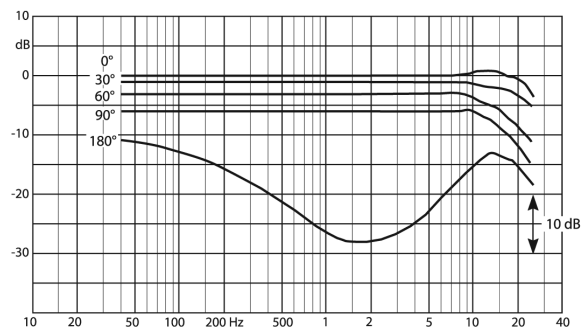
4011C, 4011C Cardioid Microphone, Compact

Directional characteristics of DPA 4011C (normalized).



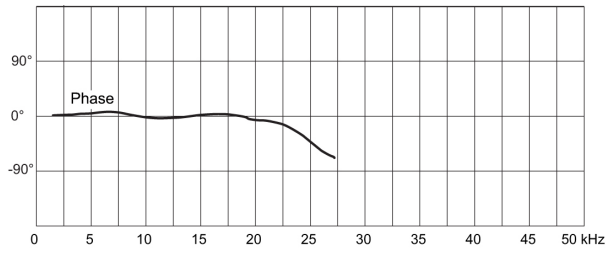
Directional characteristics of DPA 4011C (normalized).

On-and off-axis responses of DPA 4011C measured at 30 cm



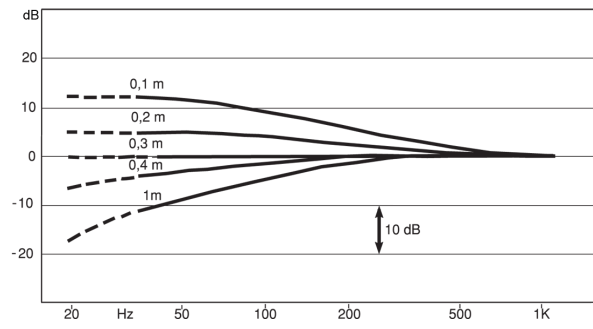
On-and off-axis responses of DPA 4011C measured at 30 cm

Phase response of DPA 4011C



Phase response of DPA 4011C

The proximity effect exhibited by DPA 4011C



The proximity effect exhibited by DPA 4011C



Headquarters:
 DPA Microphones A/S
 Gydevang 42- 44
 DK-3450 Allerød, Denmark
 Tel: +45 4814 2828
 Fax: +45 4814 2700
 info@dpamicrophones.com
 www.dpamicrophones.com

United States:
 DPA Microphones, Inc.
 2432 N. Main St., Suite 200
 Longmont, CO 80501, USA
 Tel: +1 303- 485-1025
 Fax: +1 303- 485-6470
 info-usa@dpamicrophones.com
 www.dpamicrophones.com